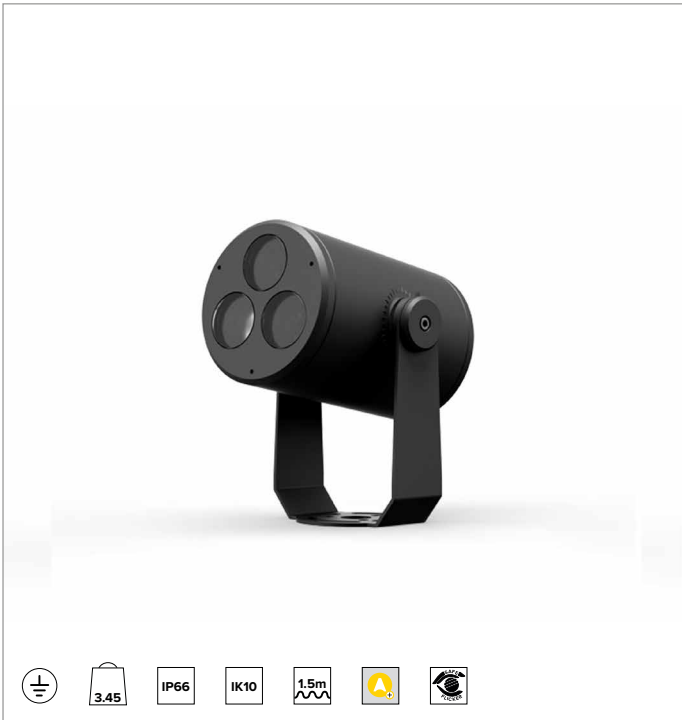
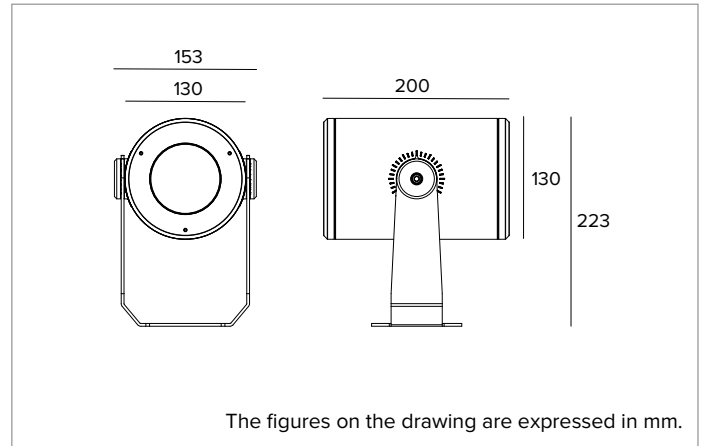


1E3987DA | DART Round Medium Professional adjustable LED projector



	4000K	H(m)	D(m)	E _{max} (lx)		
	Ra80		5°			
Fixture Power	8W	1	0.09	46669		
Source Flux	744lm	2	0.17	11667		
Fixture Flux	558lm	3	0.26	5185		
Efficacy	70lm/W	4	0.34	2917		
TS1668	I _{max} =62727cd/klm	I _{max}	46669cd	5	0.43	1867



SOURCE

Light module with high power and high efficiency Ra80 LED sources. Ra90 version available on request.

Energy efficiency class: E

Nominal power: 6,3W

Nominal flux: 744lm

Colour rendering index: 80

Rf: 84

Rg: 93

CCT nominal: 4000K

Lifetime (L80/B10): >50000h tq +25°C

ILLUMINOTECHNICAL CHARACTERISTICS

NSP version: precision methacrylate lenses and spreader filter.

Optic: LENS

Beam angles: NSP

Optical efficiency: 75%

Fixture flux: 558lm

Luminous efficacy: 70lm/W

Photobiological safety: Compliant with RG1 low risk group

MECHANICAL CHARACTERISTICS

Painted die-cast anodised aluminium body and painted stainless steel mounting bracket. Tempered extra clear front glass.

Colour and finish: Ferrite

Weight: 3.45Kg

Degree of protection: IP66

Mechanical Resistance: IK10

ELECTRICAL CHARACTERISTICS

Version with integrated dimmable DALI power supply. Precabled with a 1.5m long feeding cable H07RN-F.

Fixture Power: 8W

Power supply: 220-240Vac 50/60Hz

Insulation Class: CLASS 1

Type of driver / Control: DALI - PUSH

Driver included: YES

SAFE FLICKER: PstLM=<1 and SVM=<0.4 (IEC TR 61547-1 and IEC TR 63158), to ensure a more comfortable and safe light

Ambient temperature: -25°C / +35°C

INSTALLATION

Mounting bracket with aiming adjustability. Adjustable up to ±45° on the horizontal plane and +90°/-45° on the vertical plane.

NOTES

Casambi control system available using a dedicated accessory. Uses the "Waterblock Smart" technical solution that involves resin coating the connection cables, limiting the risk of humidity reaching the driver or the fixture. It is possible to subject the product to Cataphoresis treatment on request. 110-277Vac version available on request. Commissioning of the control system via free APP; the intervention of a specialist technician can be quoted on request.

WARRANTY

5 years.

WARNING

Luminaire designed for disposal/recycling at end-of-life. Replaceable (LED only) light source by a professional. Replaceable control gear by a professional.

Due to the technological evolution of the electronic components, the data provided may be updated, and as such, confirmation must be requested during the order process.

Luminous flux and power supply have +/-10% tolerances with respect to the indicated value. tq +25°C (CIE 121).

We reserve the right to make technical changes.

Targetti Sankey S.r.l.
Via Pratese, 164
50145 Firenze - Italy
Tel: +39 055 37911
targetti.com
targetti@targetti.com

CCIAA Firenze
Share Capital:
€ 500.000,00
VAT N. (IT):
01537660480
R.E.A: FI-275656

TARGETTI

1E3987DA | DART Round Medium Professional adjustable LED projector

Accessories

Filter



Colour	Code
	1E4263

Blade of light filter.
PMMA holographic filter for a blade of light effect.
Completed with powder coated aluminum alloy holder ring.
Only for NSP version.

Screen



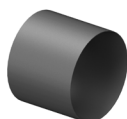
Colour	Code
	1E4007

Asymmetric screen.
Powder coated stainless steel.



Colour	Code
	1E4008

Cylindrical screen.
Powder coated stainless steel.
Short version.



Colour	Code
	1E4058

Cylindrical screen.
Powder coated stainless steel.
Long version.

Mounting System



Colour	Code
	1E3026

Plate for fixture rotation.
Powder coated stainless steel.



Dimensions ØxH mm	Colour	Code
96x182		1E3028

Earthspike.
Powder coated stainless steel.

*Due to the technological evolution of the electronic components, the data provided may be updated, and as such, confirmation must be requested during the order process.
Luminous flux and power supply have +/-10% tolerances with respect to the indicated value. tq +25°C (CIE 121).*

We reserve the right to make technical changes.

Targetti Sankey S.r.l.
Via Pratese, 164
50145 Firenze - Italy
Tel: +39 055 37911
targetti.com
targetti@targetti.com

CCIAA Firenze
Share Capital:
€ 500.000,00
VAT N. (IT):
01537660480
R.E.A: FI-275656



1E3987DA | DART Round Medium Professional adjustable LED projector

Mounting System



Colour Code

● 1E2825

Pole bracket.
Anodised and powder coated aluminium.
Pole Ø 60mm (+/-2mm).



Colour Code

● 1E3027

Pole multiple mounting system.
Powder coated stainless steel.
To be completed with 1E2825.
Max 4 projectors.

Connector



Code

1E2769

Linear connection box IP66/IP68.
5 poles max. wire section 1.5mm².
Cable diameter range from 7 to 12mm.

Tool



Code

1E3305

Tightening wrench for the connector kit.

Control systems



Code

1E3048

IP67 wireless control unit with DALI interface.
It generates a local DALI2 bus, enabling a direct connection to a DALI interface LED driver.
The module can only be used in a closed system and cannot be connected to an existing DALI network.
The module is wireless controlled using a Casambi app for smartphones and tablets using Bluetooth 5.0 technology.
The devices automatically create an adaptive, robust, and reliable wireless mesh network, allowing for the easy and efficient management of a high number of fixtures. The control unit is preset to the DALI 1CH profile, meaning the device can control a single DALI driver with broadcast commands.
In addition to the DALI broadcast, other operating modes are available, such as:

- Button (normally open)
- Control unit 0/1-10V
- Control unit DALI Tunable White DT8
- Presence sensor



Code

1E4369

IP67 Extender for wireless control of LED driver with dimming DALI interface based on Casambi technology.
It has a DALI2 output with the capacity to control up to 40 lighting fixtures.
With the addition of a further external BUS DALI power supply it is possible to control up to 64 fixtures.
IP67 Extender is preset to the DALI broadcast profile, meaning all the luminaires connected to it are dimmable at the same level.
In addition to the DALI broadcast other operating modes are available, such as:

- EXTENDER DALI 8CH
- EXTENDER DALI Tunable White
- EXTENDER DALI 4CH
- EXTENDER DALI DT8 Tunable White

Due to the technological evolution of the electronic components, the data provided may be updated, and as such, confirmation must be requested during the order process.

Luminous flux and power supply have +/-10% tolerances with respect to the indicated value. tq +25°C (CIE 121).

We reserve the right to make technical changes.

Targetti Sankey S.r.l.
Via Pratese, 164
50145 Firenze - Italy
Tel: +39 055 37911
targetti.com
targetti@targetti.com

CCIAA Firenze
Share Capital:
€ 500.000,00
VAT N. (IT):
01537660480
R.E.A.: FI-275656

TARGETTI

1E3987DA | DART Round Medium Professional adjustable LED projector

Surge protector



Code

A013A

Surge protector compatible with CLASS I lighting fixtures.
Operating voltage 230-277Vac.
SPD type 2+3.
Max surge protection 10kV.
CLASS I
IP67



Code

A013C

Surge protector compatible with CLASS I lighting fixtures.
DALI, DMX, 0-10V datalines compliance.
Operating voltage 230Vac.
SPD type 2+3.
Max surge protection 10kV.
CLASS I
IP20

Due to the technological evolution of the electronic components, the data provided may be updated, and as such, confirmation must be requested during the order process.

Luminous flux and power supply have +/-10% tolerances with respect to the indicated value. tq +25°C (CIE 121).

We reserve the right to make technical changes.

Targetti Sankey S.r.l.
Via Pratese, 164
50145 Firenze - Italy
Tel: +39 055 37911
targetti.com
targetti@targetti.com

CCIAA Firenze
Share Capital:
€ 500.000,00
VAT N. (IT):
01537660480
R.E.A: FI-275656

TARGETTI